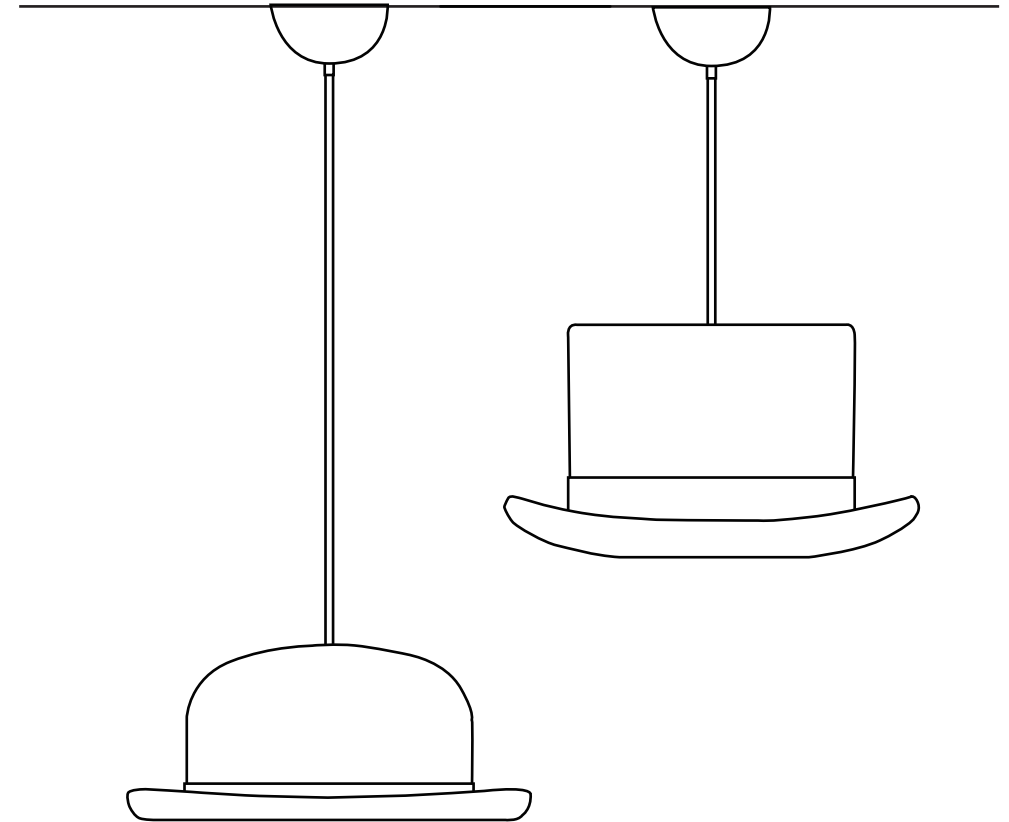


Jeeves & Wooster

by Jake Phipps



Innermost WEEE
registration number:
WEE/FH1713VS

SAFETY WARNINGS

Installation should only be undertaken by a qualified electrician.

TECHNICAL INFORMATION

Jeeves - G9 MAX. 25W (UK/EU)

Wooster - G9 MAX. 25W (UK/EU)

Innermost recommend an LED G9 Bulb up to 500 Lumen output, dimmable
Temperature 2200-2700K

Jeeves comes with a Gold Anodized interior and Wooster comes with a Silver Anodized interior.

CLEANING AND CARE

Switch off the luminaire before cleaning and relamping.

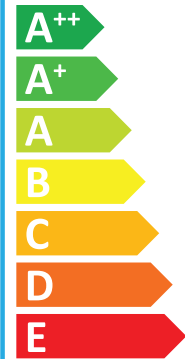
Use a non-abrasive cloth to keep your Jeeves and Wooster clean.

innermost

JEEVES & WOOSTER PX029X02



This luminaire is compatible with bulbs of the energy classes:



874/2012



For further information, please
contact: info@innermost.net

www.innermost.net
OXO Tower Wharf Bargehouse Street London

INSTALLATION GUIDE FOR:

Jeeves UK/EU - PJ029102
Wooster UK/EU - PW029102

innermost[®]

