

# Lighthouse Wall Light

## Installation Guide

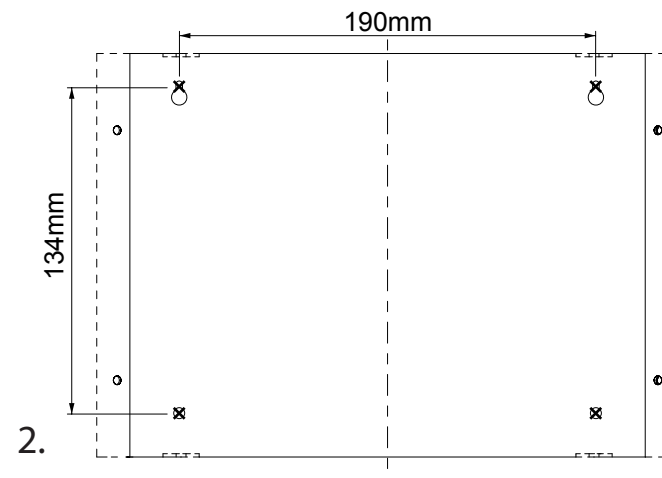
MAX. - 20W  / 40W 

WL028100 - UK/EU

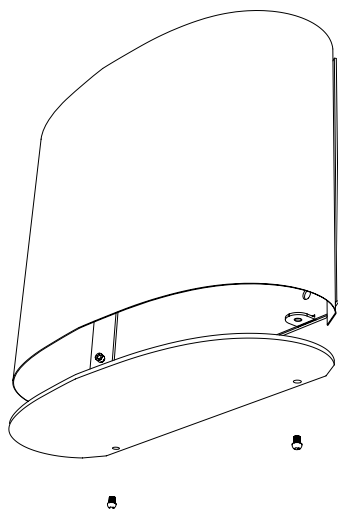
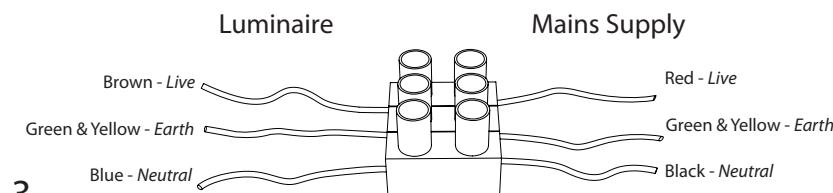
WL028300 - USA

### Installing the Luminaire

1. Installation should be performed by a qualified Electrician in accordance with the building/ electrical regulations. Ensure power is isolated before installation.
2. Use 'Wall Mount Template' on reverse to mark and drill holes in wall making suitable precautions to avoid hidden cabling or pipes in the wall. Insert both upper screws.
3. Connect Live, Neutral and Earth Cables (see diagram) and hang unit in position ensuring it is in the correct orientation - with the lamp fitting pointing upward. Fix lower screws and place washers between the wall and the back plate.
4. Insert Bulb and secure top and bottom diffusers in place using the four screws provided.



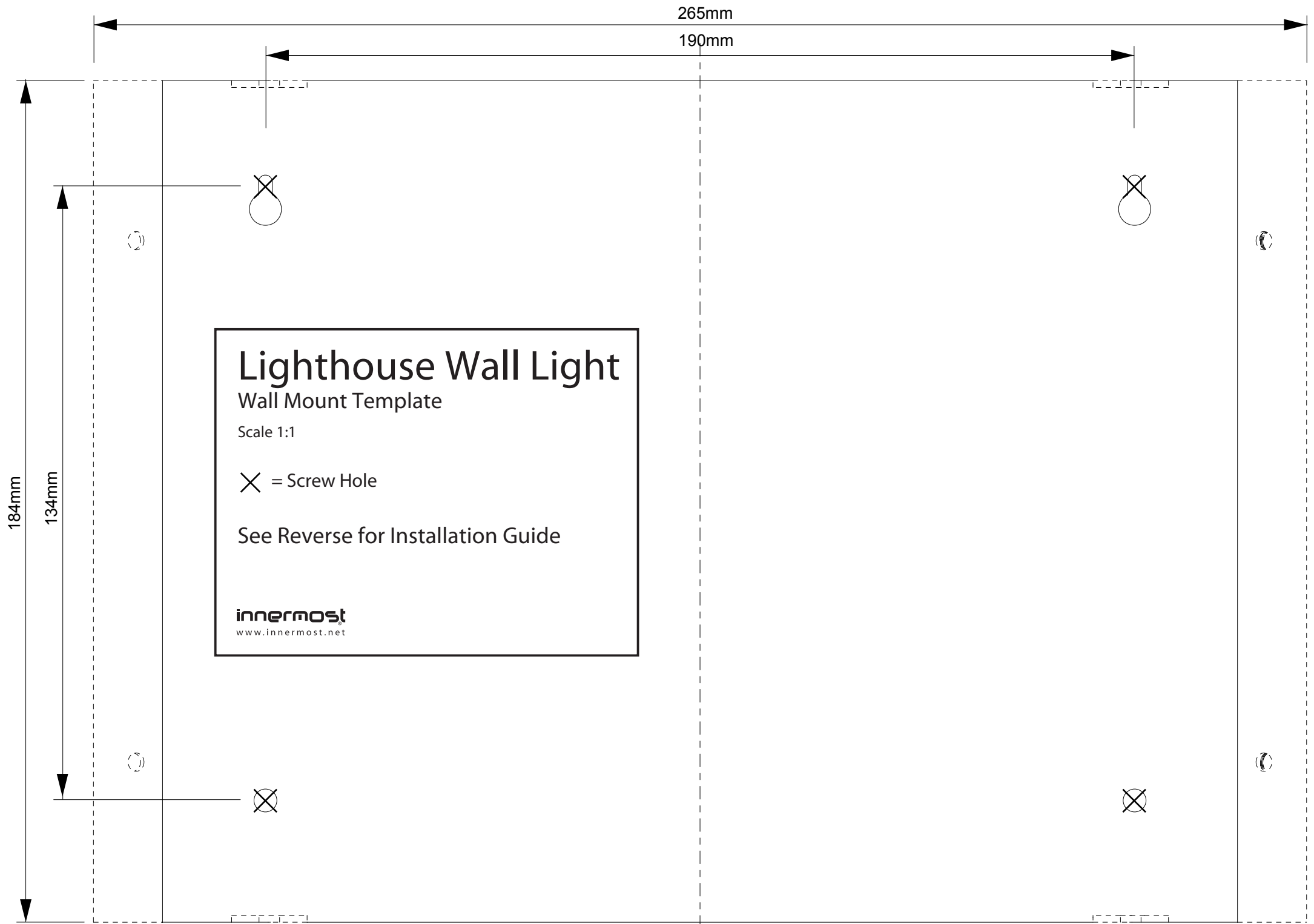
### Luminaire Wiring Diagram



### Changing a Lamp

- Ensure power is off at the mains.
- Remove the Top Diffuser using the Allen Key Provided.
- Replace the Lamp with a CFL (max 15W) or an incandescent (max 40W) ES Lamp. *Warning - the lamp may be hot.*
- Secure the diffuser back in place using the bolts provided.

See Reverse for Wall Mount Template



265mm

190mm

184mm

134mm

# Lighthouse Wall Light

Wall Mount Template

Scale 1:1

X = Screw Hole

See Reverse for Installation Guide

**innermost**  
www.innermost.net