

Origami

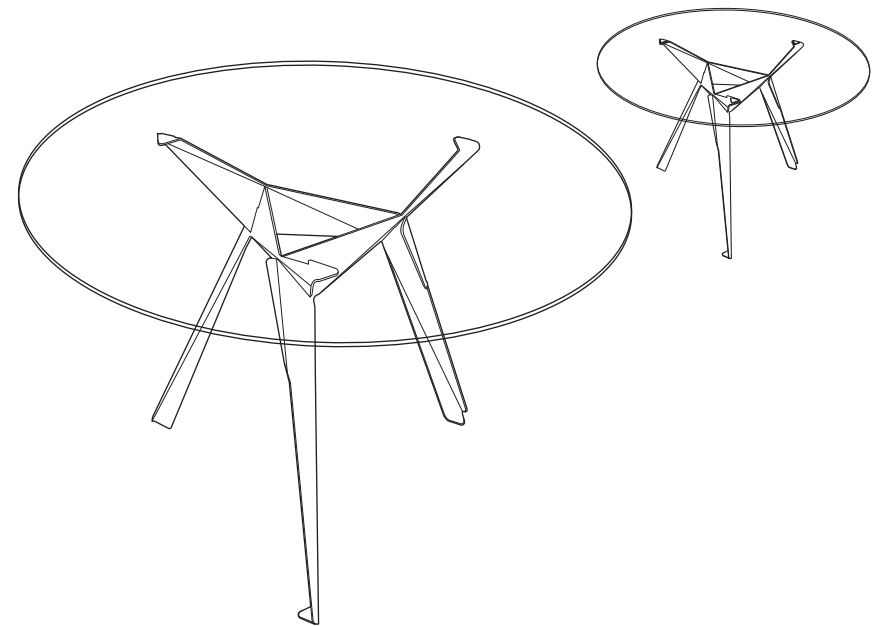
by Anthony Dickens

CLEANING AND CARE

Use a non-abrasive cloth to keep the glass top of your Origami Table clean.

ENTRETIEN ET PRECAUTION D'USAGE

Utilisez un chiffon non-abrasif pour nettoyer la surface en verre de votre table Origami.



INSTALLATION GUIDE FOR :

Origami Side Table

Origami Dining 110 Table

Origami Dining 130 Table

Pads - FO011002YY

Pads - FO013002YY

Pads - FO013102YY

Legs - FO011001XX

Legs - FO013001XX

Legs - FO013001XX

For further information, please
contact: info@innermost.net

www.innermost.net
OXO Tower Wharf Bargehouse Street London

innermost[®]

Origami

by Anthony Dickens

innermost®

