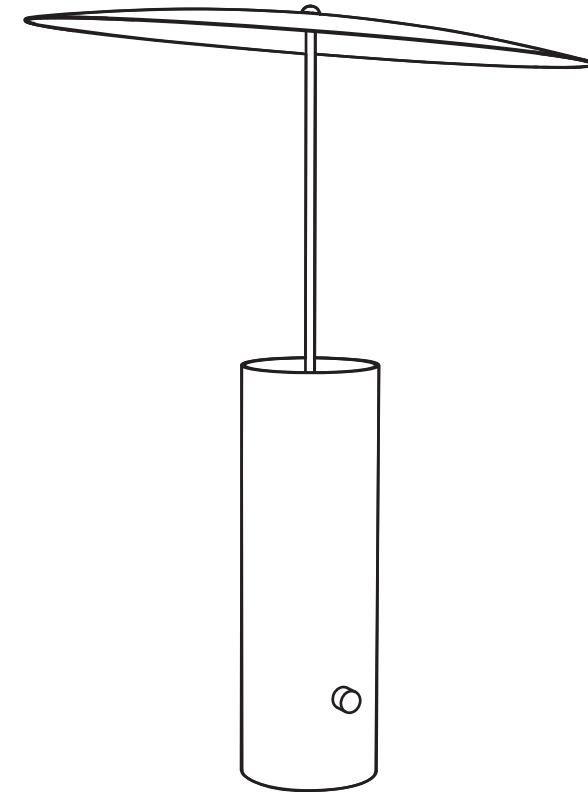


Parasol

by Jonas Forsman



INSTALLATION GUIDE FOR :

Parasol UK / EU
White - LP059101
Black - LP059102
Red - LP059108



Innermost WEEE
registration number:
WEE/FH1713VS

SAFETY WARNINGS

The light source contained in this luminaire is integrated and shall only be replaced by the manufacturer or his service agent or a similar qualified person.

Contact the manufacturer before replacing the light source.

TECHNICAL INFORMATION

Parasol - Integrated LED Source, Sharp chip,
chip life 30,000 hours
3x5W, 1200lm, 2700K, CRI(Ra)>82
Beam Angle 120°
Dimmable

CLEANING AND CARE

Switch off the luminaire before cleaning.
To dust, use a non-abrasive cloth.

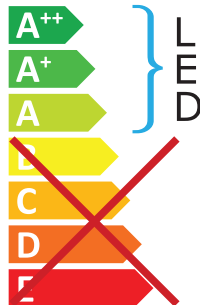
innermost

PARASOL

LP0591XX



This luminaire
contains built-in
LED lamps



This lamp cannot be changed
in the luminaire.

874/2012



For further information, please contact:
info@innermost.net

www.innermost.net
OXO Tower Wharf Bargehouse Street London

innermost[®]

Parasol

by Jonas Forsman

innermost®

