

SAFETY WARNINGS

The Installation should only be undertaken by a qualified electrician.
Surfaces can become hot while running.

L'installation du luminaire doit se faire par un ingénieur électricien agréé.
Les surfaces peuvent chauffer lors de l'utilisation.

La instalación sólo debe ser realizada por un electricista calificado.
Las superficies pueden calentarse durante el funcionamiento.

L'installazione deve essere eseguita solo da un elettricista qualificato.
Le superfici possono diventare calde durante il funzionamento.

Die Installation darf nur von einem Elektrofachmann durchgeführt werden.
Oberflächen können im Betrieb heiß werden

Монтаж должен выполняться только квалифицированным электриком.
Поверхности могут нагреваться во время работы

TECHNICAL INFORMATION

Doric 60 - E27 MAX. 100W (EU/UK)
(Bulb not included)

Innermost recommends LED Globe Bulbs with 400 - 1000 Lumen output and from 2700K (for warmer with more colour) up to 6000K (daylight).

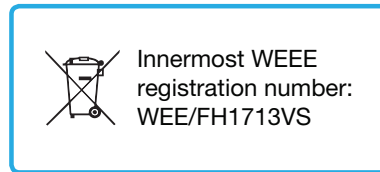
CLEANING AND CARE

Switch off the luminaire before cleaning and relamping.


Take care when handling Doric's shade, especially during assembly.

Use a non-abrasive cloth to keep your Doric clean.


Our continually updated product documentation can be accessed at www.innermost.net



innermost
DORIC 60 PD059140-XX

 This luminaire is compatible with bulbs of the energy classes:

A++
A+
A
B
C
D
E

874/2012 



For further information, please contact: info@innermost.net

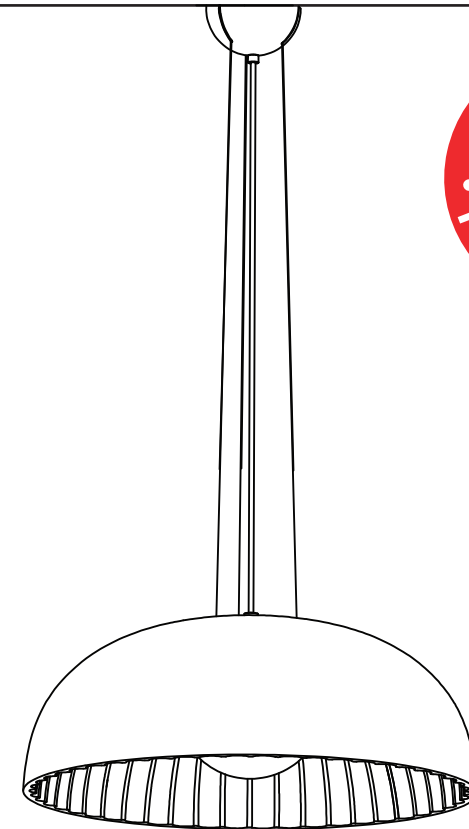
www.innermost.net

OXO Tower Wharf Bargehouse Street
London, SE1 9PH

ITG054.60.02

Doric 60

by James Bartlett



INSTALLATION GUIDE FOR :

Doric 60 UK / EU

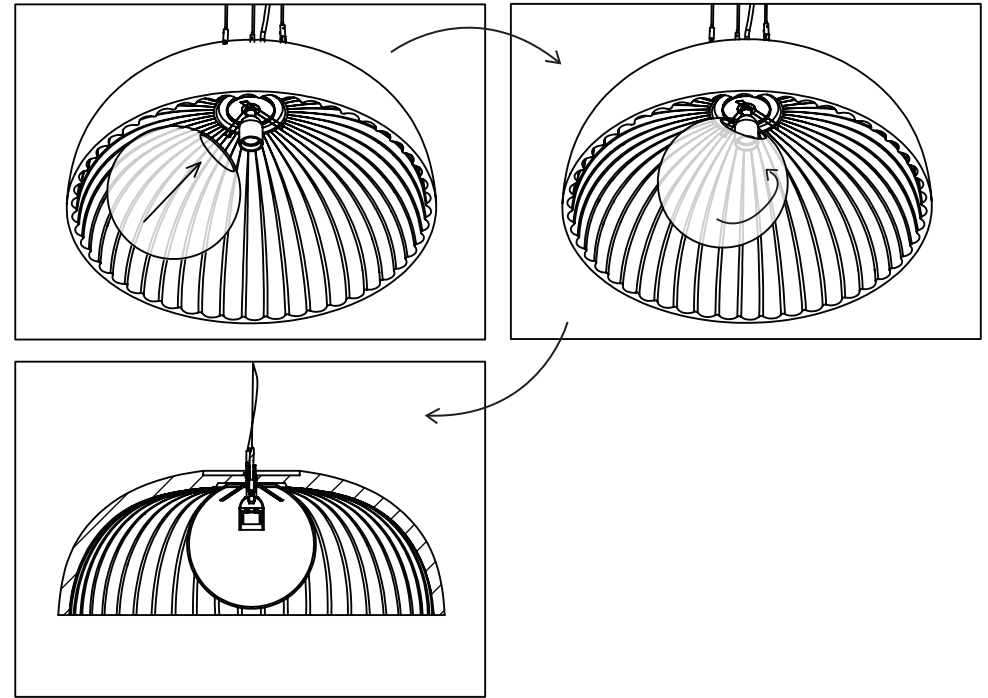
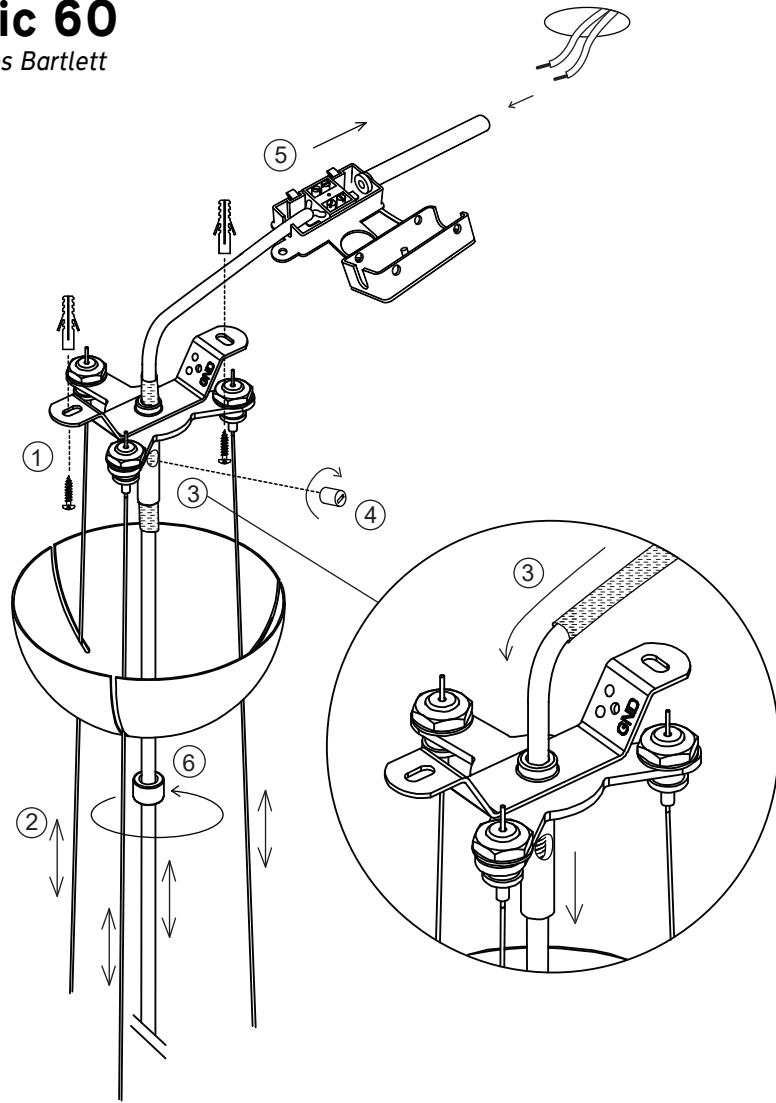
Black Marble - PD05914032
Matt White - PD05914033
Rose Marble - PD05914034
White Marble - PD05914035

innermost[®]

Doric 60

by James Bartlett

innermost®



Doric 60 EU/UK - PD059140XX

