

# Radiate Circular 30

by innermost

## SAFETY WARNINGS

The Installation should only be undertaken by a qualified electrician.

La instalación sólo debe ser realizada por un electricista calificado.

L'installazione deve essere eseguita solo da un elettricista qualificato.

Die Installation darf nur von einem Elektrofachmann durchgeführt werden.

Монтаж должен выполняться только квалифицированным электриком.

## CLEANING AND CARE

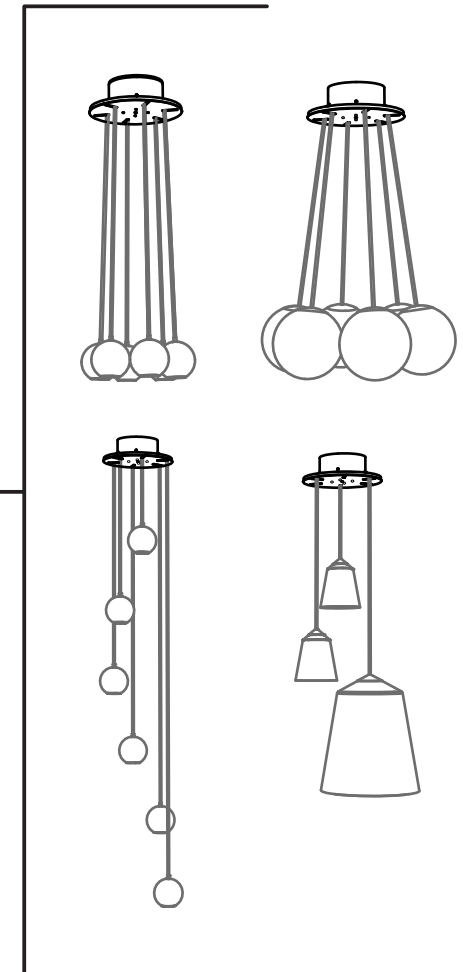
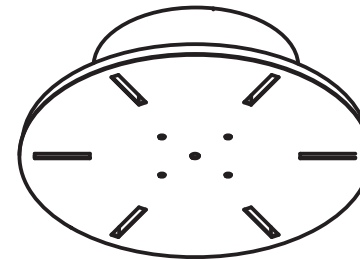
Use a non abrasive cloth to keep your Radiate Circular 30 clean.

## CONSIGNES DE SECURITE

L'installation du luminaire doit se faire par un ingénieur agréé.

## ENTRETIEN ET PRECAUTION D'USAGE

Utilisez un chiffon non-abrasif pour nettoyer votre Radiate Circular 30.



INSTALLATION GUIDE FOR:

Radiate Circular 30

White - ZR03CR30W

For further information, please  
contact: [info@innermost.net](mailto:info@innermost.net)

[www.innermost.net](http://www.innermost.net)

OXO Tower Wharf Bargehouse Street  
SE1 9PH London

ITG057.01.01

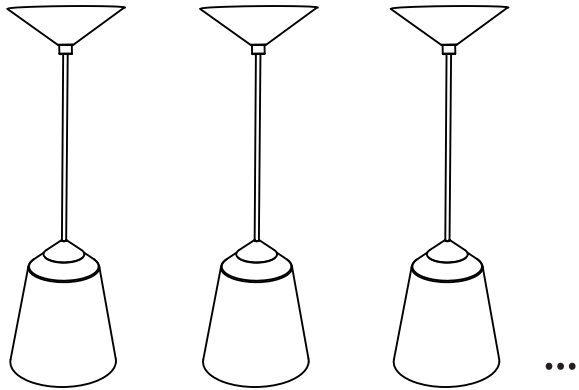
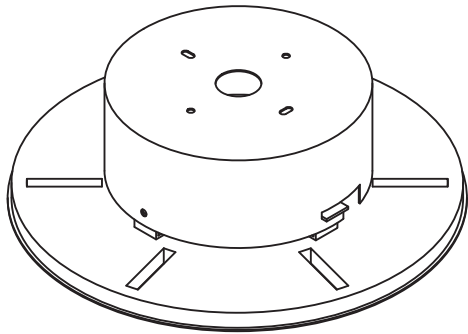
Our continually updated product documentation can be accessed at [www.innermost.net](http://www.innermost.net)

**innermost**<sup>®</sup>

# Radiate Circular 30

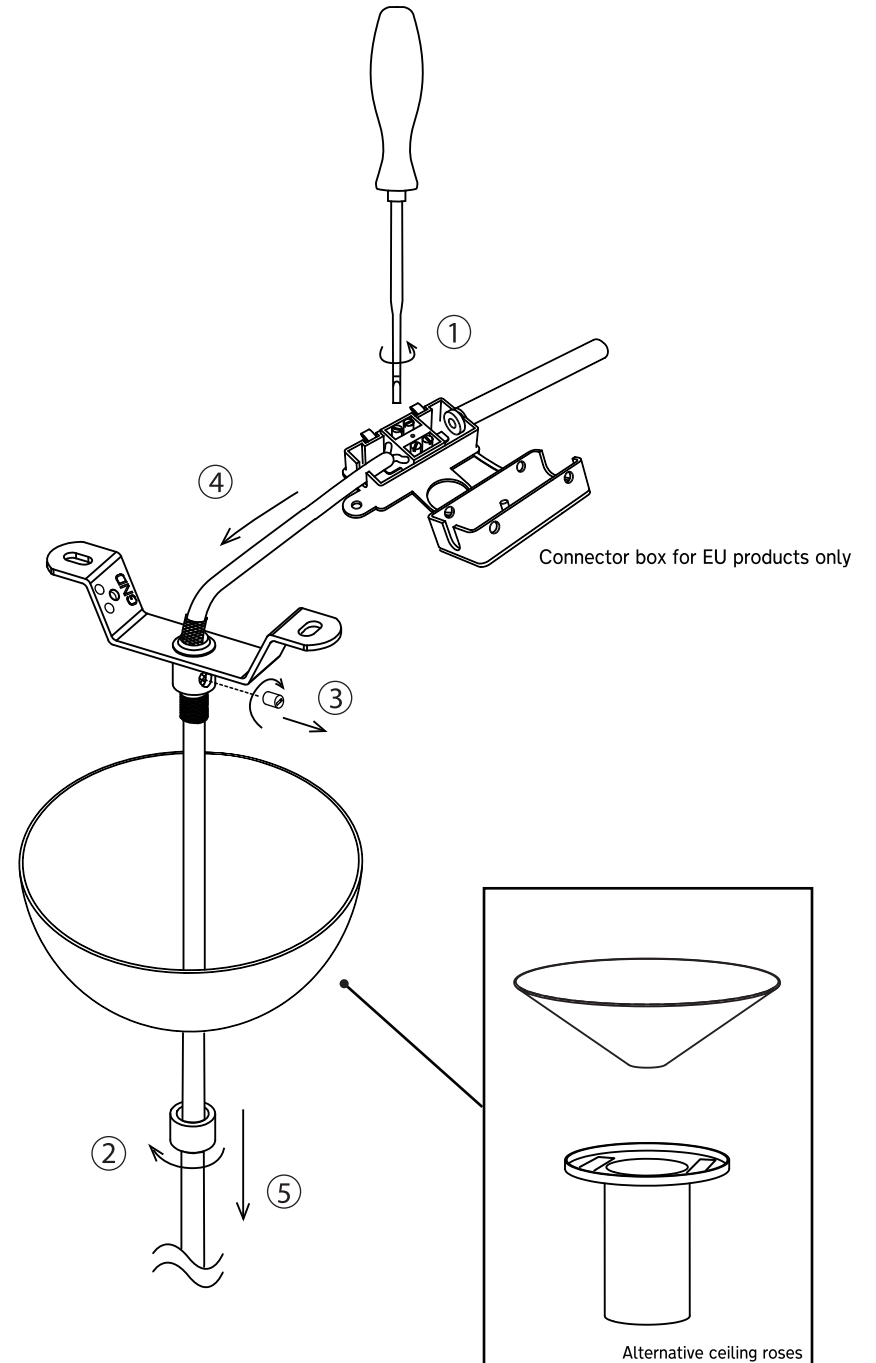
by innermost

innermost®



REFERENCE IMAGE

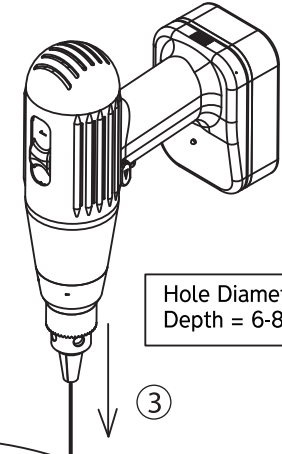
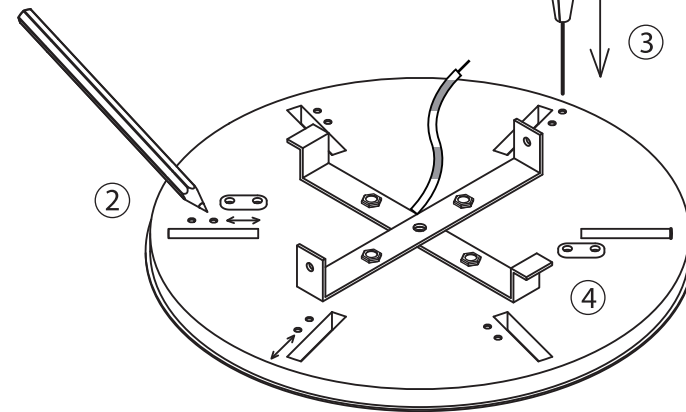
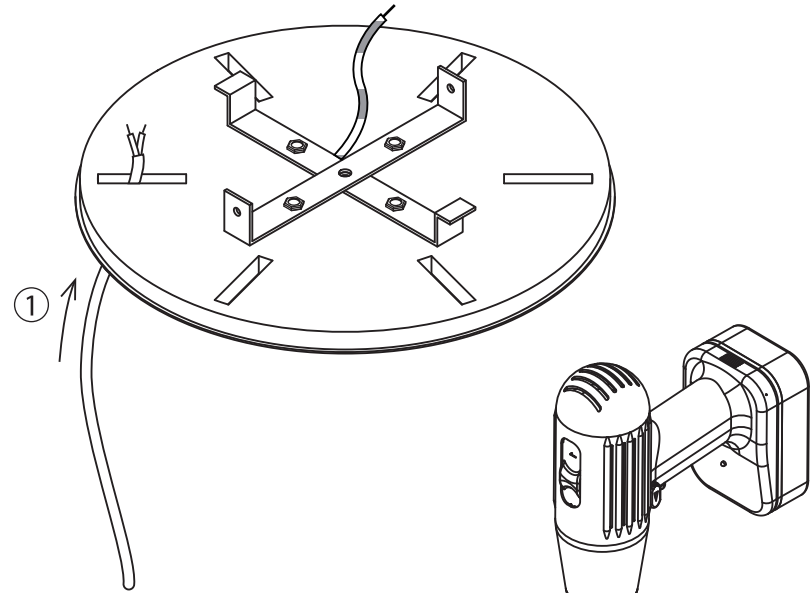
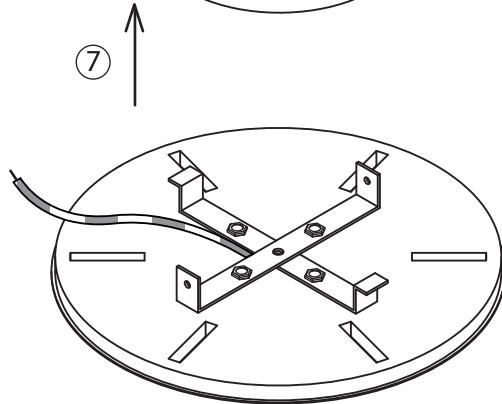
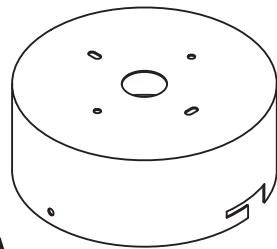
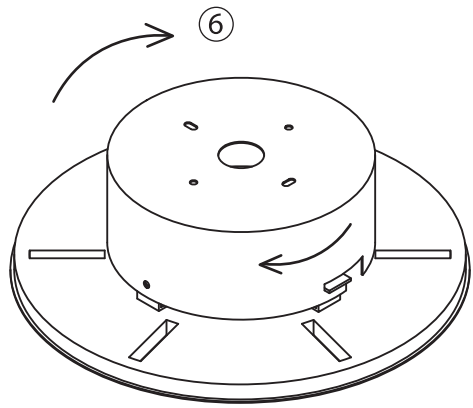
Up to 20 KGS



# Radiate Circular 30

by innermost

innermost®



Hole Diameter = 2mm / 0.08"  
Depth = 6-8mm / 0.24-0.31"

2

4

3

1

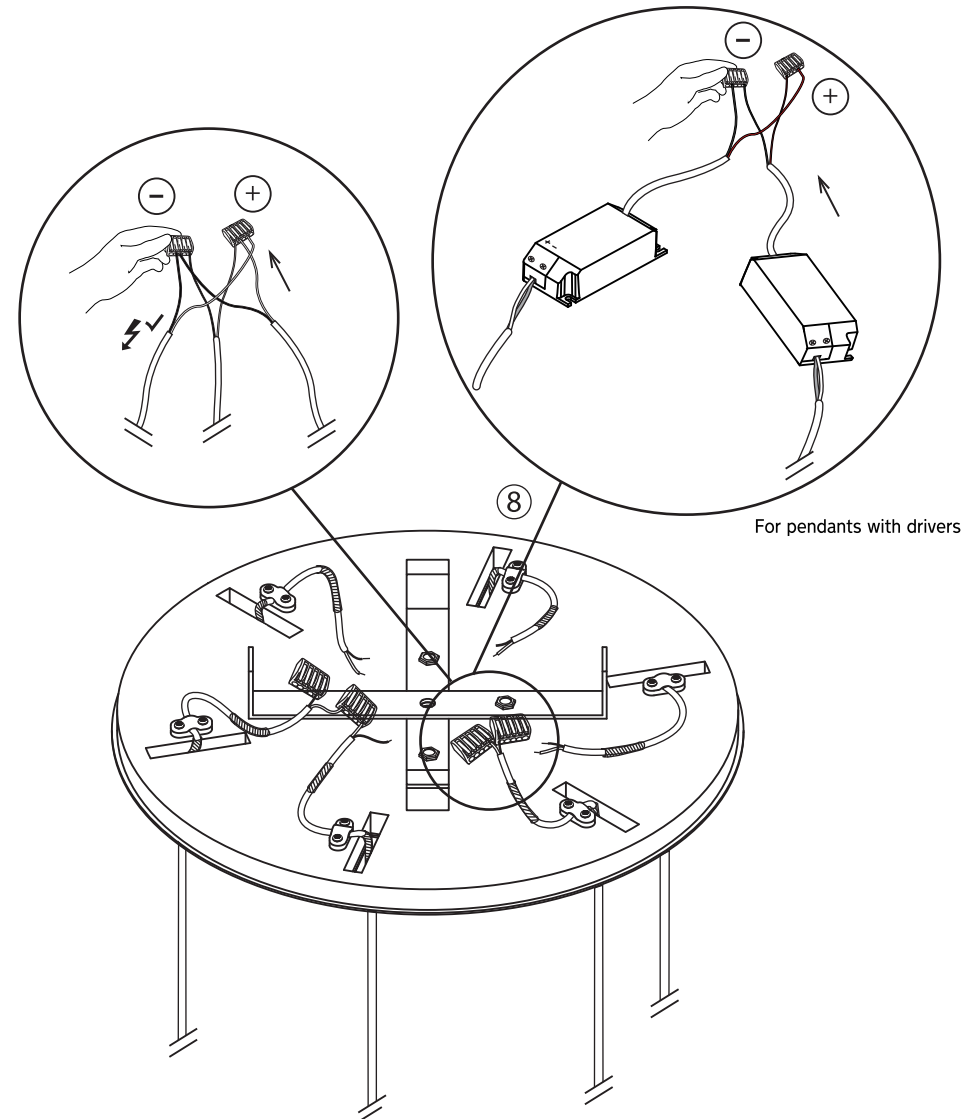
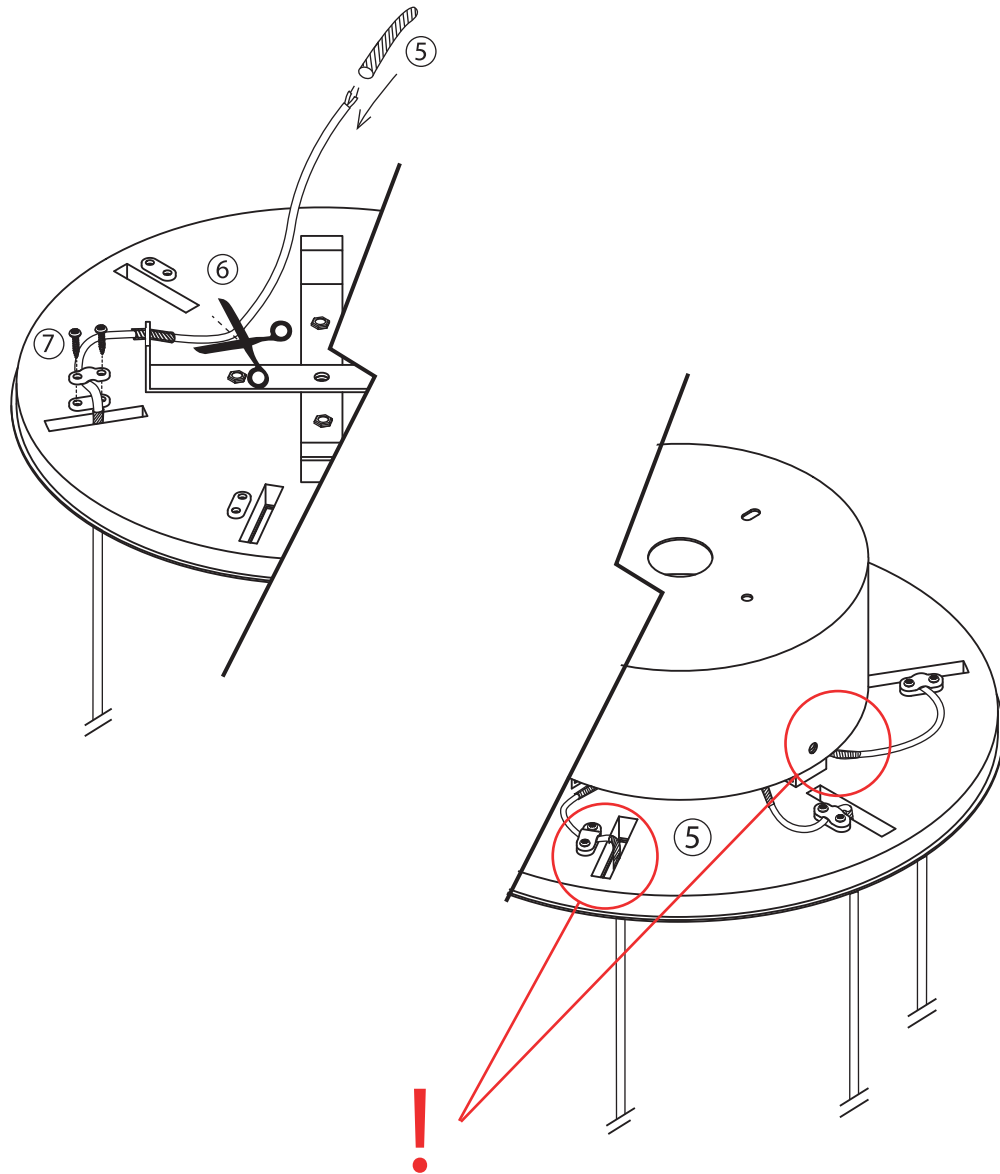
6

7

# Radiate Circular 30

by innermost

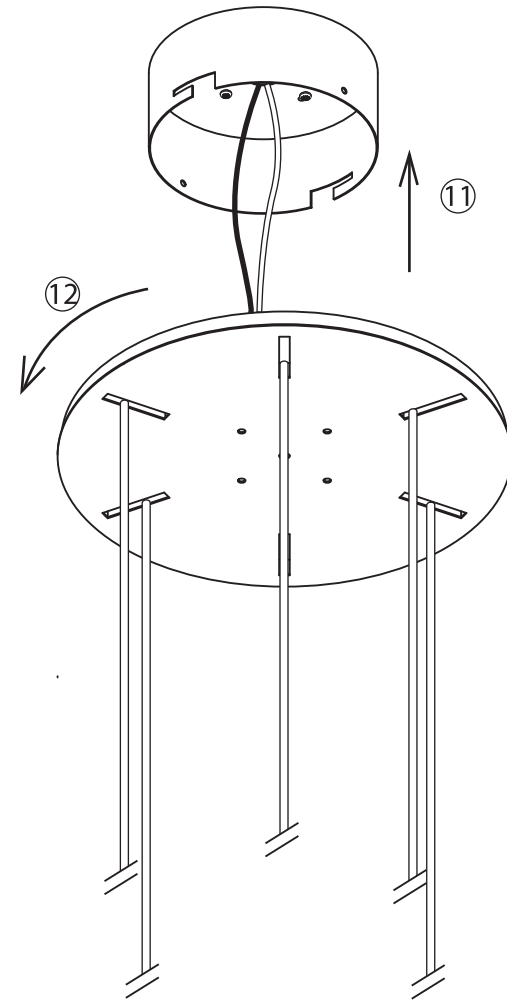
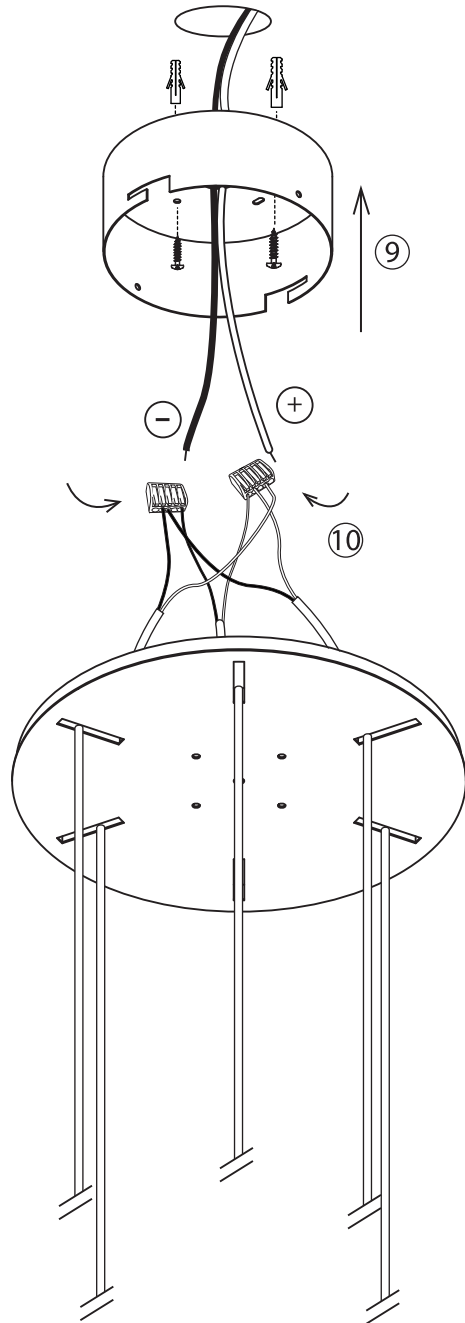
innermost®



# Radiate Circular 30

by innermost

innermost®



# Radiate Circular 30

by innermost

innermost®

