

Radiate Circular 60

by innermost

SAFETY WARNINGS

The Installation should only be undertaken by a qualified electrician.

La instalación sólo debe ser realizada por un electricista calificado.

L'installazione deve essere eseguita solo da un elettricista qualificato.

Die Installation darf nur von einem Elektrofachmann durchgeführt werden.

Монтаж должен выполняться только квалифицированным электриком.

CLEANING AND CARE

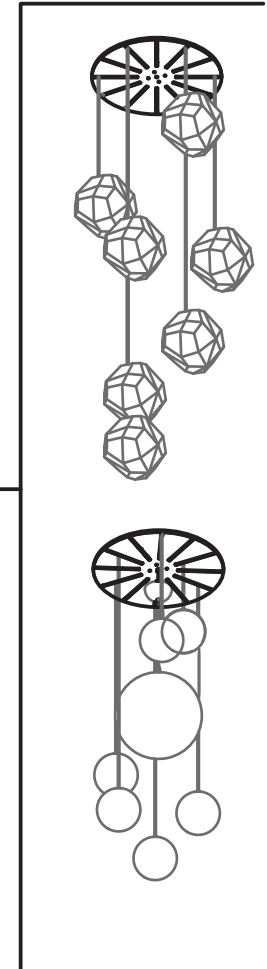
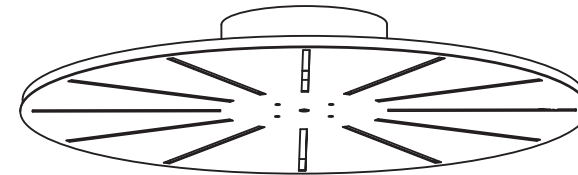
Use a non abrasive cloth to keep your Radiate Circular 60 clean.

CONSIGNES DE SECURITE

L'installation du luminaire doit se faire par un ingénieur agréé.

ENTRETIEN ET PRECAUTION D'USAGE

Utilisez un chiffon non-abrasif pour nettoyer votre Radiate Circular 60.



For further information, please
contact: info@innermost.net

www.innermost.net

OXO Tower Wharf Bargehouse Street
SE1 9PH London

ITG057.30.01

INSTALLATION GUIDE FOR:

Radiate Circular 60

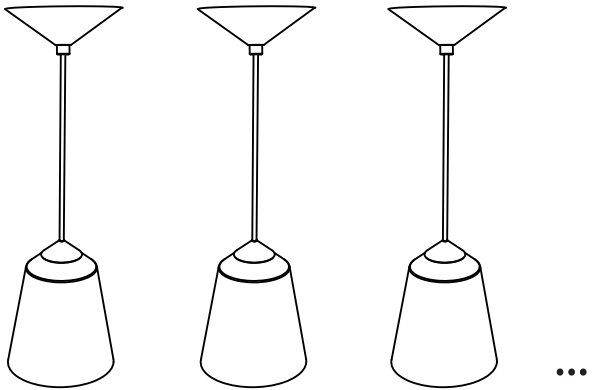
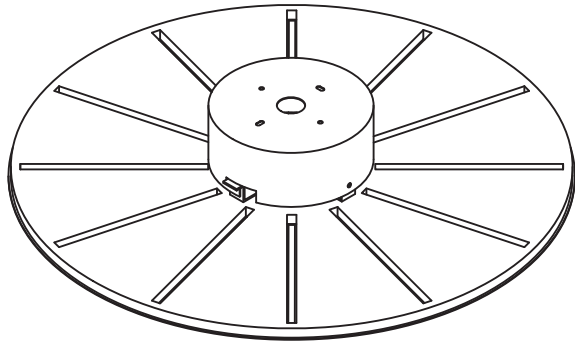
White - ZR03CR60W

innermost[®]

Radiate Circular 60

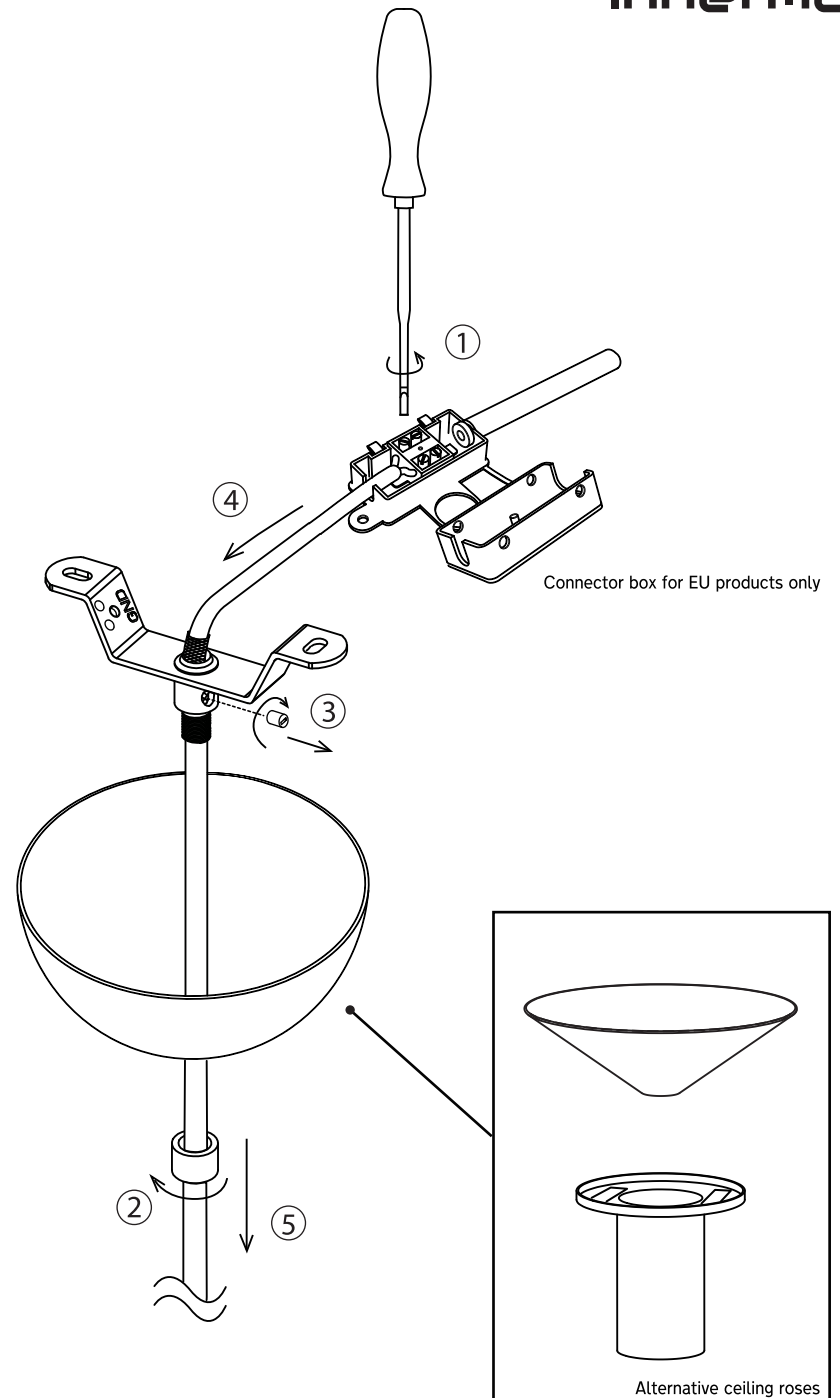
by innermost

innermost®



REFERENCE IMAGE

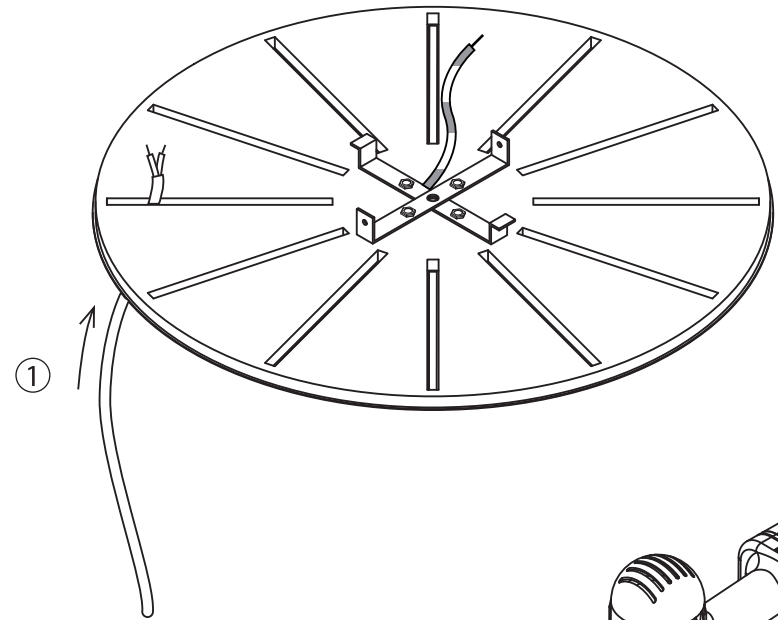
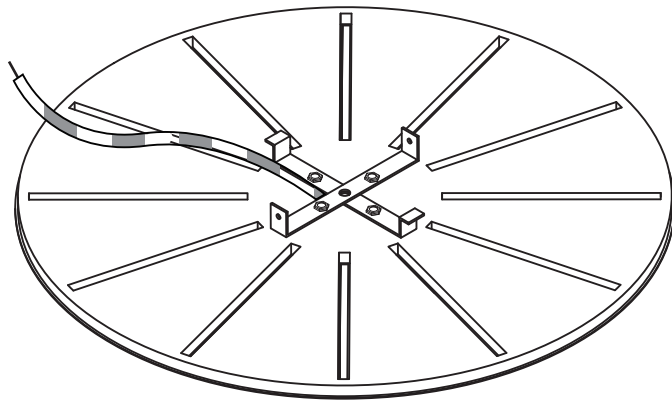
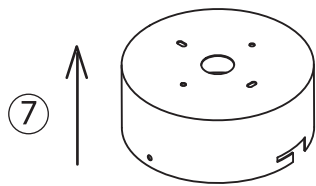
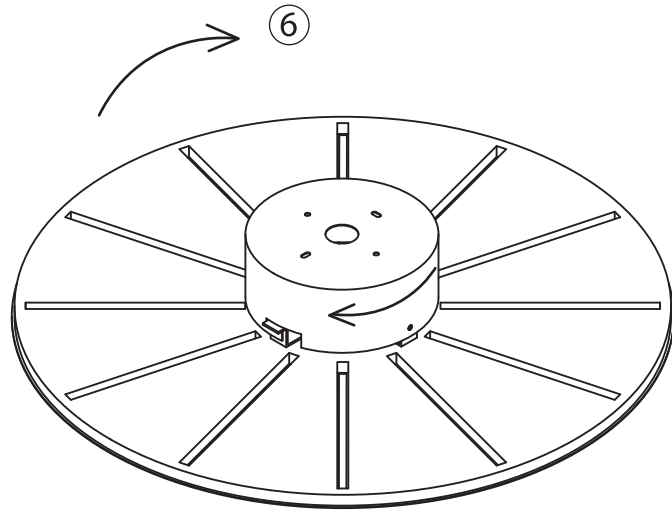
Up to 20 KGS



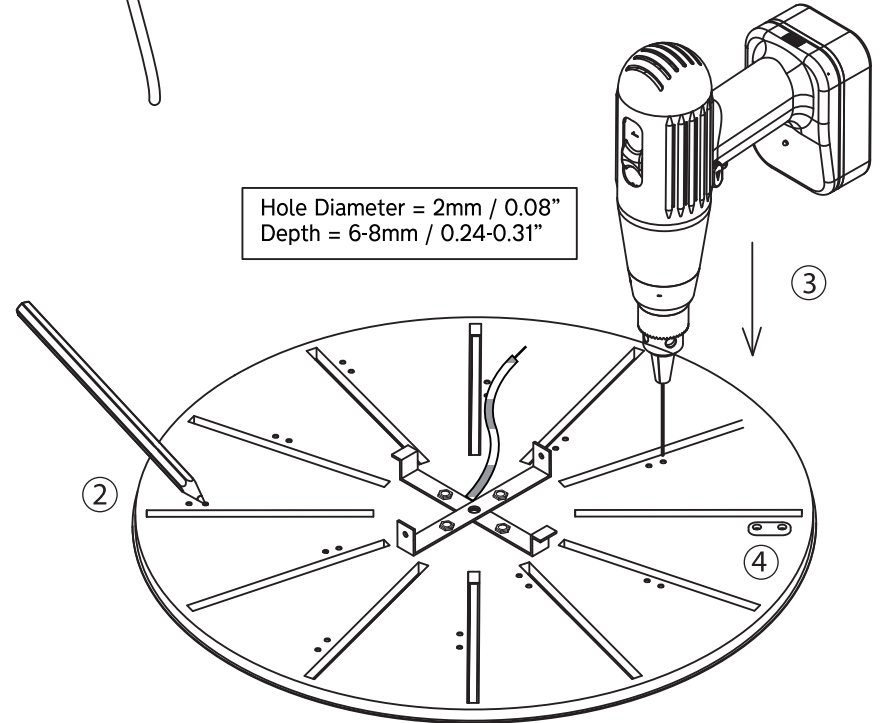
Radiate Circular 60

by innermost

innermost®



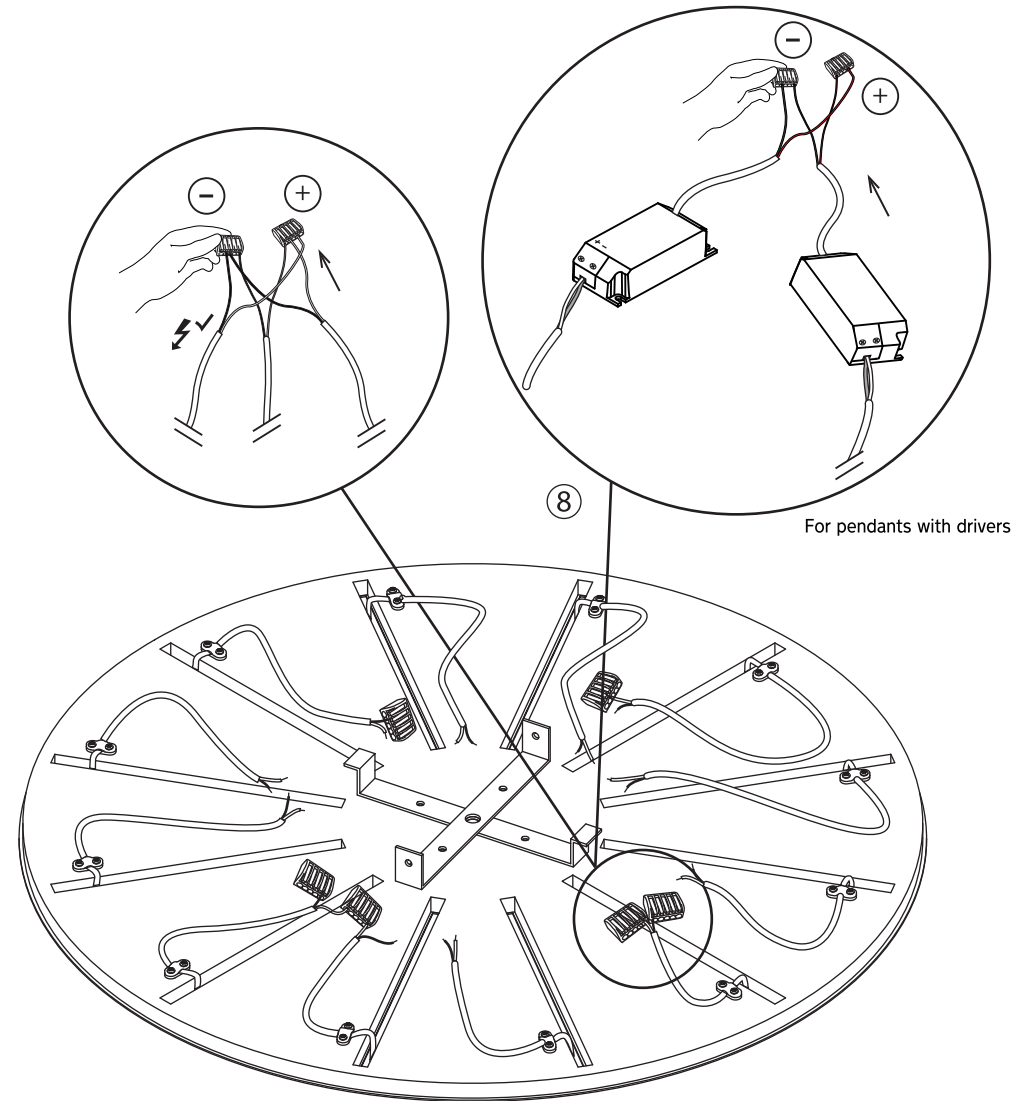
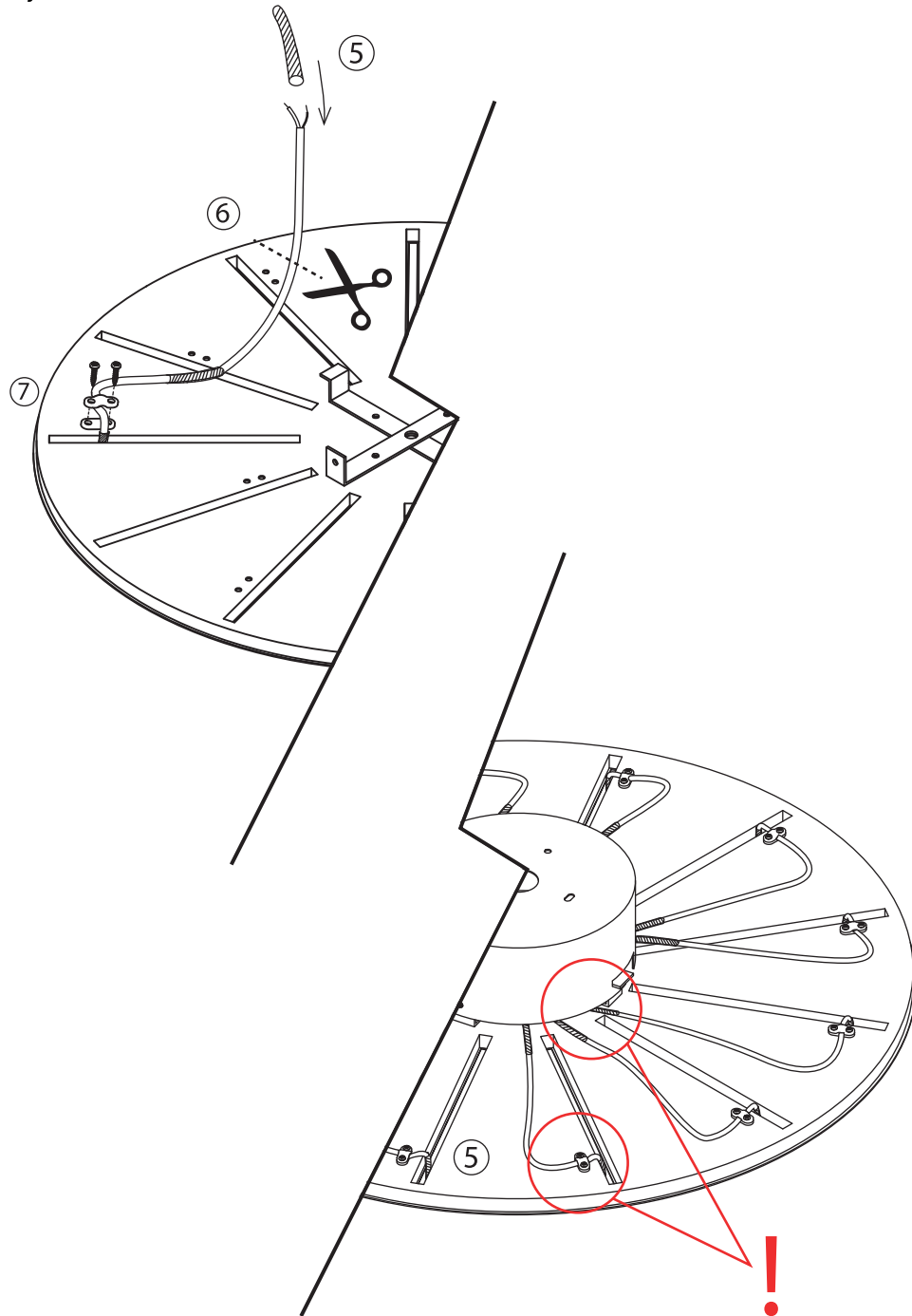
Hole Diameter = 2mm / 0.08"
Depth = 6-8mm / 0.24-0.31"



Radiate Circular 60

by innermost

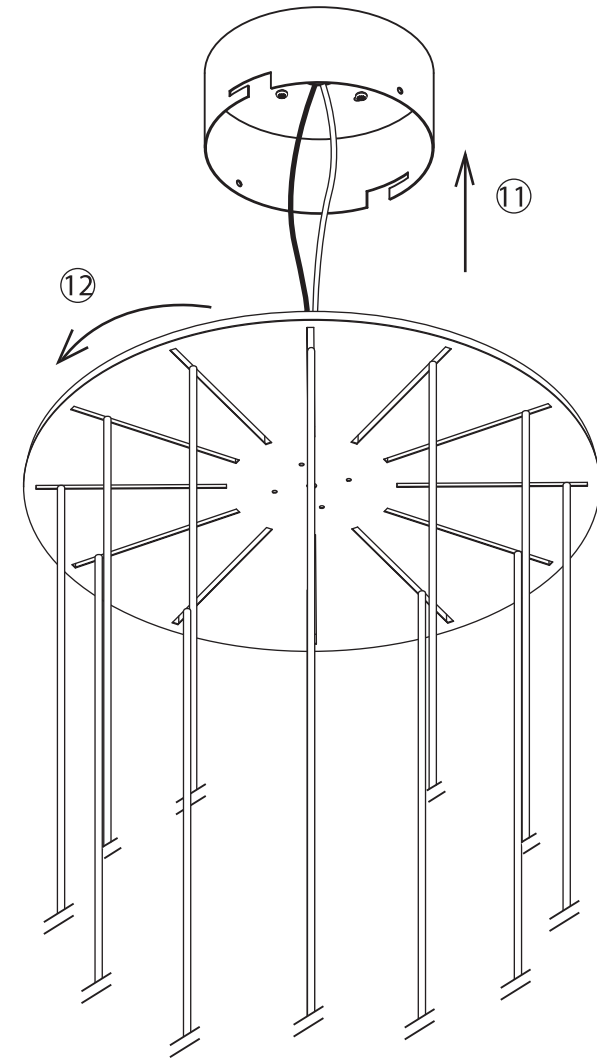
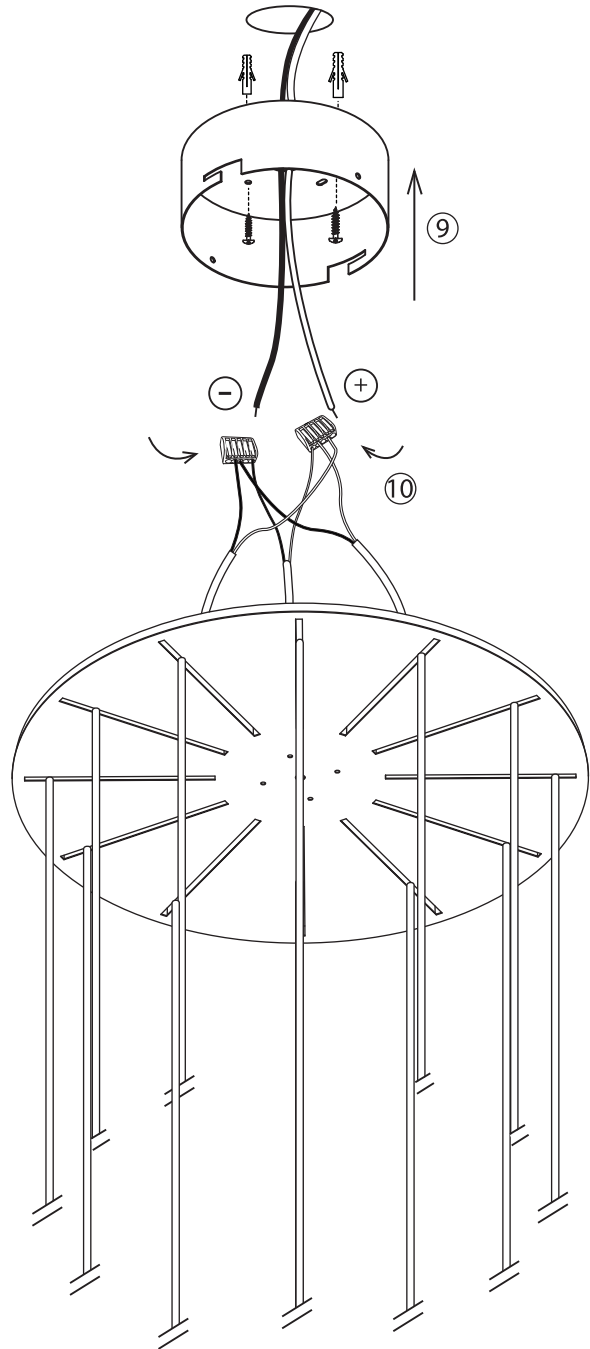
innermost®



Radiate Circular 60

by innermost

innermost®



Radiate Circular 60

by innermost

innermost®

