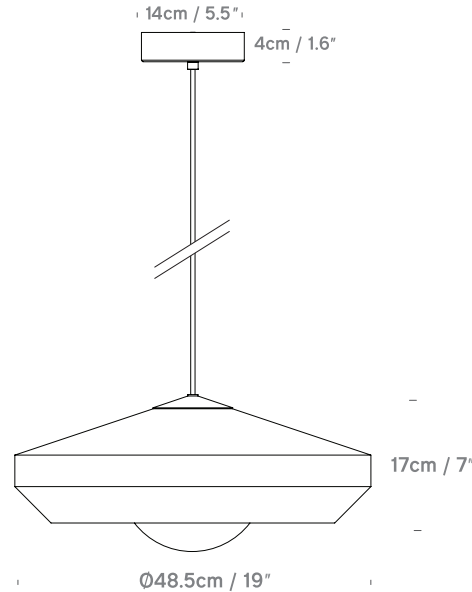


Hoxton 17
UK/EU PH049117-XX



Hoxton 50
UK/EU PH069117-XX



Colour + EAN/UPC Code

 01 - White with Antique Gold Interior (RAL 9003 Matt + RAL 1036 Semi-Gloss)

EAN:
17: 5060481943727
50: 5060481943819

 02 - Black with Antique Gold Interior (RAL 9011 Matt + RAL 1036 Semi-Gloss)

EAN:
17: 5060481943734
50: 5060481943826



Category	Pendant / Ceiling Mount
Material	Steel + Aluminium
Cable	Black - 4m Black Braided White - 4m White Braided
Lightsource	ES E27 / Max 15W LED
Switched	No
Class	Class II - Double Insulated
F Mark	Suitable for Mounting on Flammable Materials

IP Rating	IP20
Bathroom Zone	Zone 3
Weight	17: 0.85KGS / 50: 3.6KGS
Individual Carton Size	17: 23.5x23.5x35cm / 50: N/A
Individual Carton Weight	17: 1.4KGS / 50: N/A
Shipping Carton Quantity	17: 4 Units / 50: 1 Unit
Shipping Carton Size	17: 49x49x38cm / 50: 54.5x54.5x32.5cm
Shipping Carton Weight	17: 6.1KGS / 50: 4.9KGS

LED Chip	Lamp Dependant
Wattage	Lamp Dependant
Luminous Flux	Lamp Dependant
Colour Temp	Lamp Dependant
CRI	Lamp Dependant
Lifetime	Lamp Dependant
LDT / IES Files	Available on
Dimmable	www.innermost.net Lamp Dependant

Recommended Bulb
LED globe bulbs 400 - 1000 lumen output and from 2700K (for warmer with more colour) up to 6000K (daylight)
Hoxton 50 Globe Aperture: 7cm Diameter.

Smart Compatibility
This product is compatible with most Bluetooth/Wifi E27 bulbs. Please contact us about the Tuya + Cassambi options we can offer.